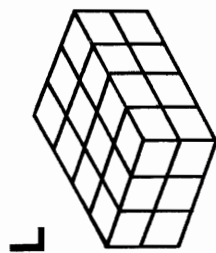


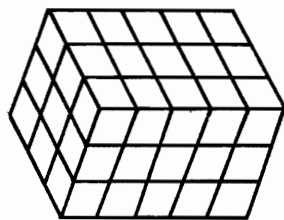
What Problem Does A Five-Foot Man Have?

TO ANSWER THIS QUESTION:

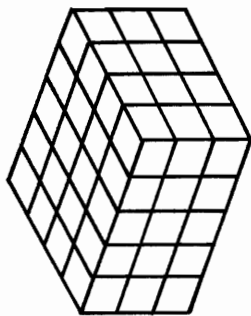
Figure out the volume of any rectangular solid below and find your answer in the code. Each time it appears in the code, write the letter of that exercise above it. Keep working and you will discover the answer to the question.



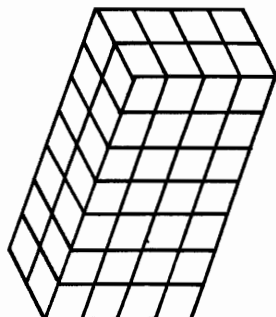
L



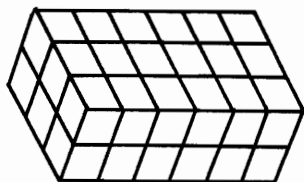
G



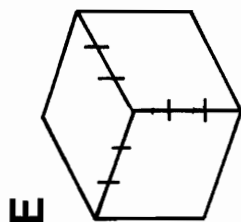
N



R

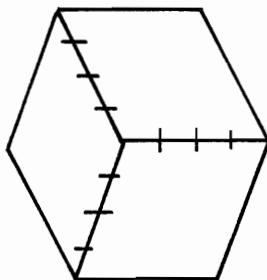


D



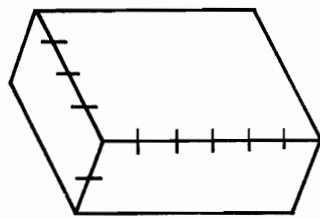
E

(I) LENGTH: 9
WIDTH: 7
HEIGHT: 10



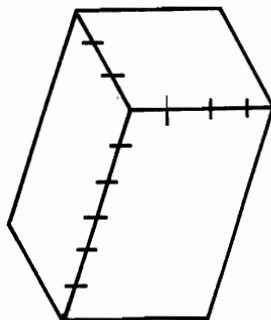
O

(B) LENGTH: 15
WIDTH: 4
HEIGHT: 8



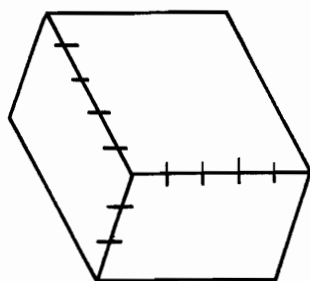
U

(Y) LENGTH: 12
WIDTH: 12
HEIGHT: 5



W

(H) LENGTH: 16
WIDTH: 11
HEIGHT: 15



F

(T) LENGTH: 18
WIDTH: 6
HEIGHT: 25

(P) LENGTH: 30
WIDTH: 20
HEIGHT: $\frac{1}{2}$

(S) LENGTH: 17
WIDTH: $\frac{1}{2}$
HEIGHT: 40

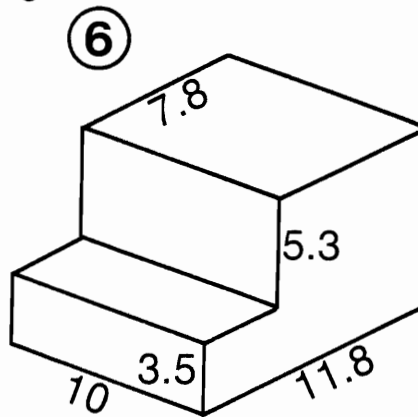
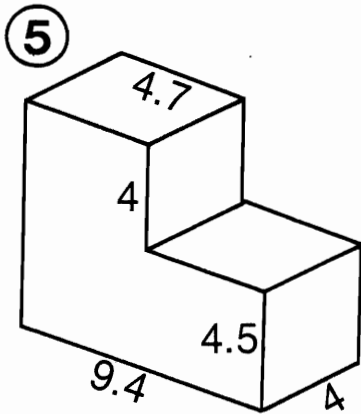
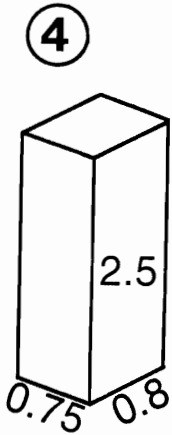
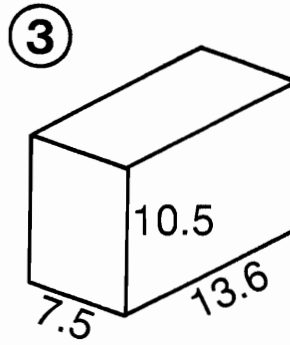
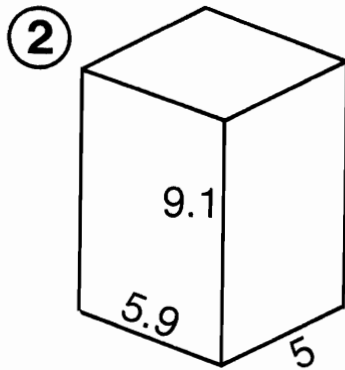
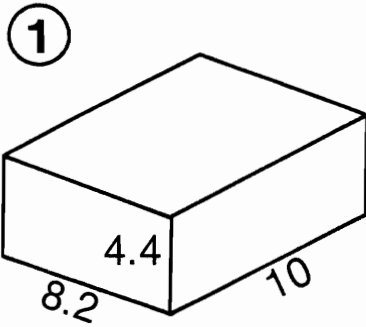
CODED
ANSWER

480 48 720 630 60 45 2700 72 64 336 60 36 336 2640 336 24 75
300 336 630 56 340 64 75 340 2640 64 27 340

How does an ESP expert send his mail?

Do any exercise below. Find your answer in the answer column and notice the letter next to it. Write this letter in each box that contains the number of that exercise.

In the first six exercises, find the volume of the figure. All dimensions are in centimeters.



⑦ What is the volume of a cube whose side measures 18 mm?

⑧ How many cubic meters of earth are needed to fill a hole in the shape of a rectangular solid with dimensions of 23 meters, 38 meters, and 4.5 meters?

⑨ A swimming pool is 20 meters long and 12 meters wide. What volume of water does the pool hold if the average depth of water is 1.75 meters?

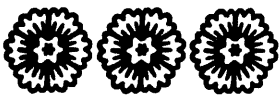
A concrete patio is 5 meters long, 3.5 meters wide, and 8 centimeters thick.

⑩ How many cubic meters of concrete were needed to build the patio?

⑪ Concrete has a mass of about 2400 kilograms per cubic meter. About how many kilograms of concrete were needed to build the patio?

- (X) 3933 m³
- (R) 510 m³
- (E) 1071 cm³
- (S) 1.54 m³
- (P) 826.4 cm³
- (B) 3450 kg
- (H) 360.8 cm³
- (S) 3360 kg
- (M) 420 m³
- (A) 244.4 cm³
- (I) 5832 mm³
- (O) 6432 mm³
- (C) 251.5 cm³
- (N) 268.45 cm³
- (R) 1.25 cm³
- (T) 1.4 m³
- (K) 353.8 cm³
- (G) 3743 m³
- (W) 1.5 cm³

4	7	10	1	5	11	7	8	10	1	11	3	2	11	3	11	10	5	9	6
---	---	----	---	---	----	---	---	----	---	----	---	---	----	---	----	----	---	---	---



What Do You Call It When A Bull Eats A Bomb?

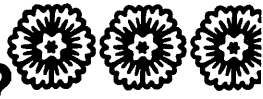
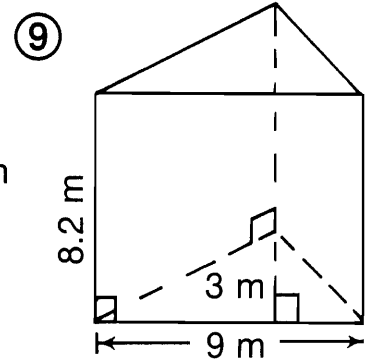
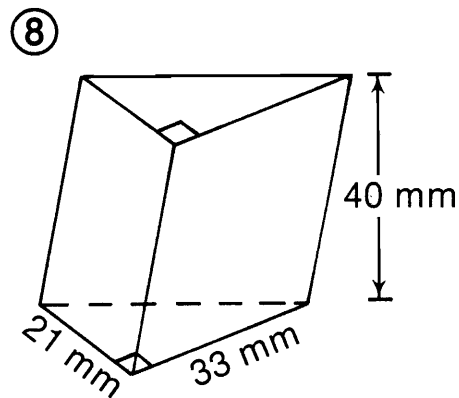
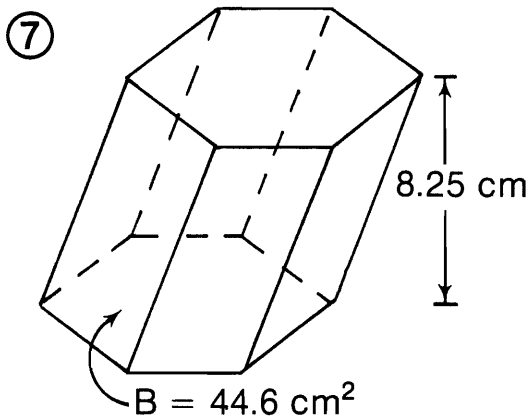
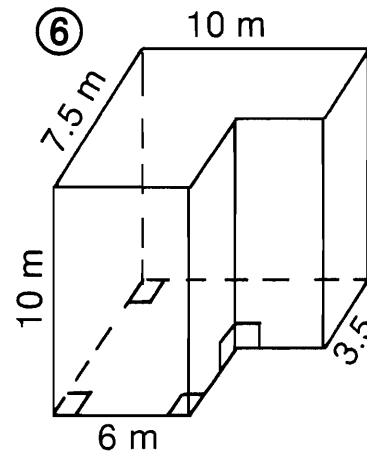
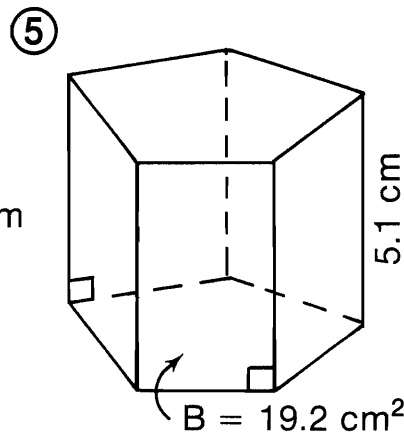
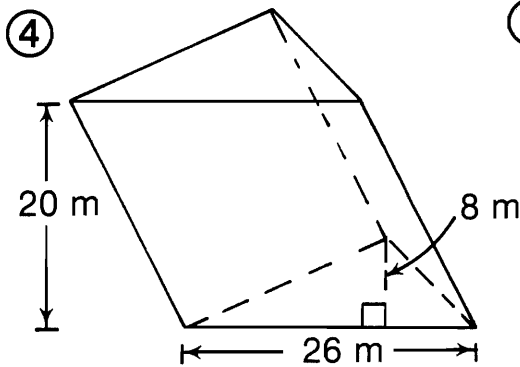
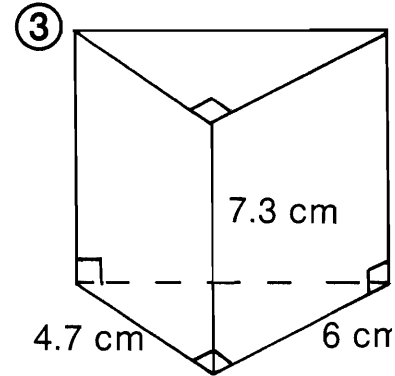
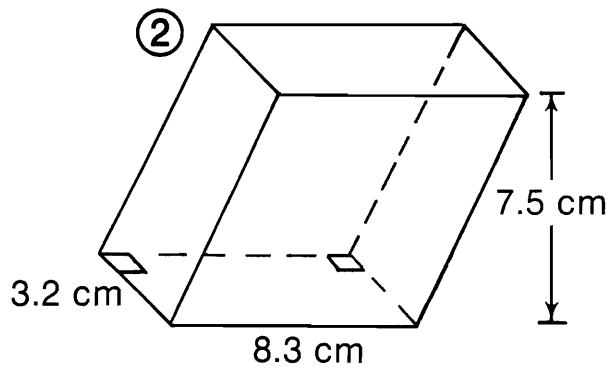
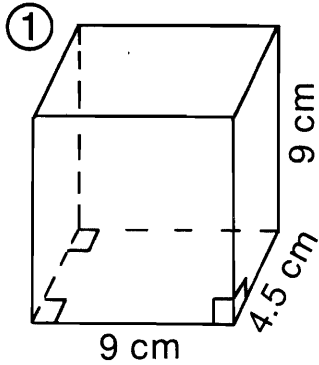


Figure out the VOLUME of each prism and find your answers in the rectangle below. Cross out each box containing a correct answer. When you finish, there will be 5 boxes not crossed out. Print the letters from these boxes in the boxes at the bottom of the page.



CO 102.93 cm ³	WS 2080 m ³	GR 110.7 m ³	AB 117.7 m ³	IG 97.92 cm ³	BO 199.2 cm ³	OM 9150 mm ³
BL 590 m ³	IN 369.5 cm ³	OW 364.5 cm ³	AB 1050 m ³	HO 13,860 mm ³	LE 91.82 cm ³	UP 367.95 cm ³