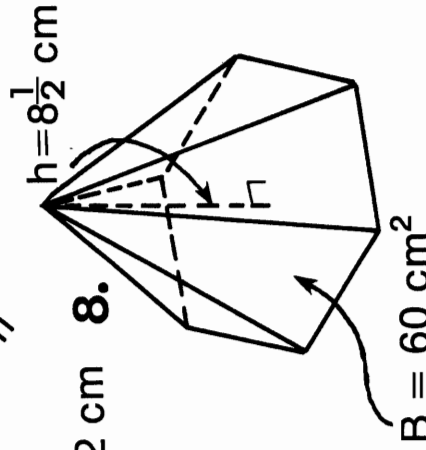
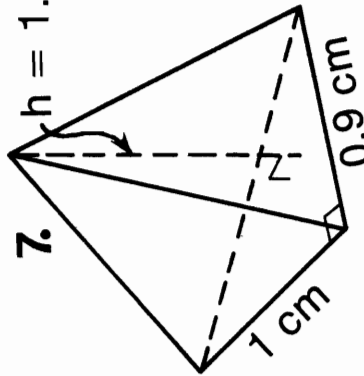
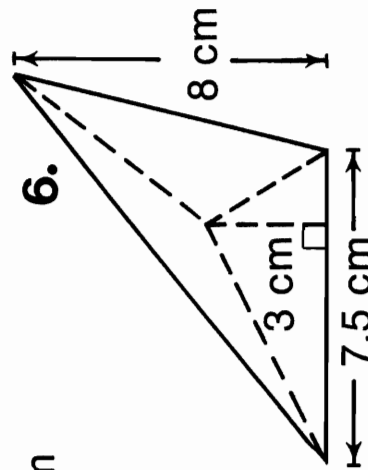
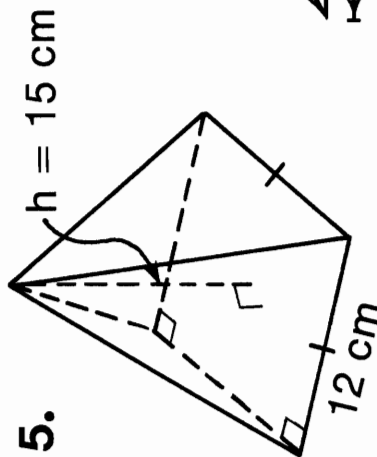
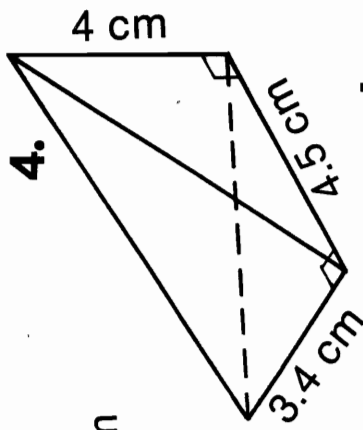
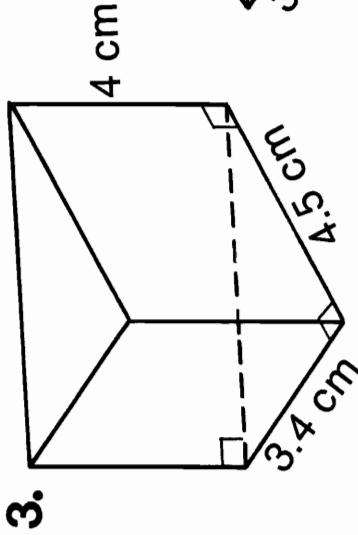
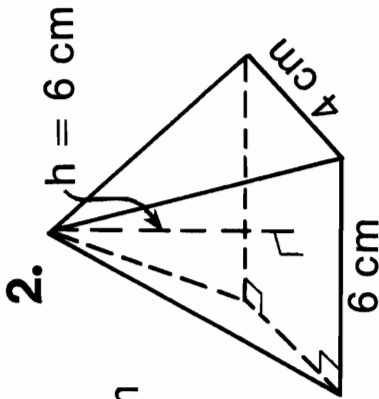
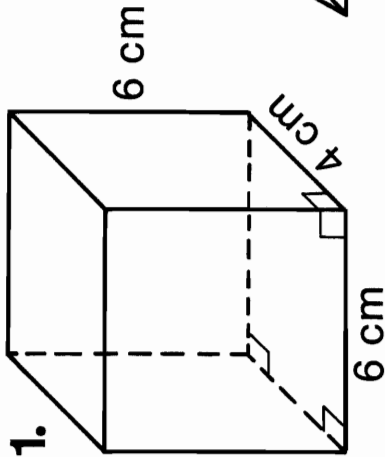


What Should You Call A Man With A Clamp?

TO ANSWER THIS QUESTION: Find the VOLUME of each prism or pyramid and circle your answers in the answer list. When you finish, arrange the letters in order from the letter of the smallest correct answer to the letter of the largest correct answer. Write the letters in this order in the boxes at the bottom of the page.



- | | | | | |
|--------------------------|--------------------------|-------------------------|--------------------------|--------------------------|
| (R) 810 cm ³ | (N) 3.38 cm ³ | (E) 48 cm ³ | (V) 10.2 cm ³ | (M) 0.15 cm ³ |
| (S) 30.6 cm ³ | (A) 0.18 cm ³ | (T) 700 cm ³ | (E) 124 cm ³ | (U) 170 cm ³ |
| (G) 144 cm ³ | (Y) 720 cm ³ | (H) 160 cm ³ | (I) 30 cm ³ | (T) 38 cm ³ |

LETTER OF SMALLEST CORRECT ANSWER

--	--	--	--	--	--	--	--

LETTER OF LARGEST CORRECT ANSWER

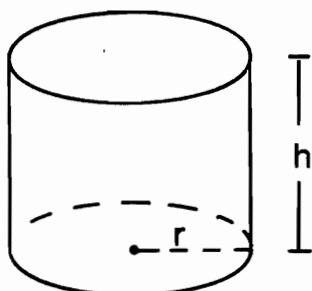
➔



Solid Fun

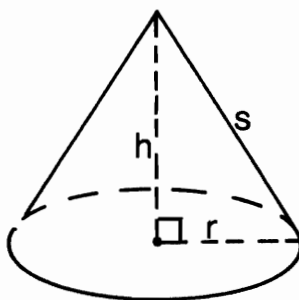


Given under each figure are the formulas for its volume (**V**) and surface area (**S**). Use the appropriate formula to do any exercise below (use $\pi \doteq 3.14$). Circle the letter of the correct answer. Write this letter in each box at the bottom of the page that contains the number of that exercise.



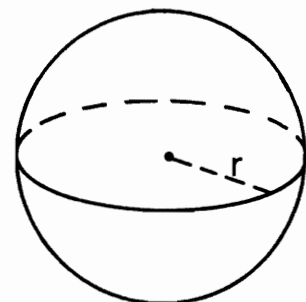
$$V = \pi r^2 h$$

$$S = 2\pi r(r+h)$$



$$V = \frac{1}{3} \pi r^2 h$$

$$S = \pi r(r+s)$$



$$V = \frac{4}{3} \pi r^3$$

$$S = 4\pi r^2$$

- ① Find the volume of a cylinder if $r = 4$ cm, $h = 10$ cm.
(R) 502.4 cm³ (S) 516.4 cm³
- ② Find the surface area of a cylinder if $r = 4$ cm, $h = 10$ cm.
(I) 351.68 cm² (A) 349.58 cm²
- ③ Find the volume of a cone if $r = 6$ cm, $h = 8$ cm.
(T) 310.54 cm³ (E) 301.44 cm³
- ④ Find the surface area of a cone if $r = 6$ cm, $h = 8$ cm, $s = 10$ cm.
(S) 301.44 cm² (D) 290.44 cm²
- ⑤ Find the volume of a sphere if $r = 6$ mm.
(H) 904.32 mm³ (L) 912.42 mm³
- ⑥ Find the surface area of a sphere if $r = 6$ mm.
(P) 412.26 mm² (F) 452.16 mm²
- ⑦ Find the volume of a cylinder if $r = 1.5$ m, $h = 4$ m.
(T) 29.16 m³ (N) 28.26 m³
- ⑧ Find the surface area of a cylinder if $r = 1.5$ m, $h = 4$ m.
(G) 50.21 m² (B) 51.81 m²
- ⑨ Find the volume of a cone if $r = 0.5$ dm, $h = 1.2$ dm.
(P) 0.415 dm³ (M) 0.314 dm³
- ⑩ Find the surface area of a cone if $r = 0.5$ dm, $h = 1.2$ dm, $s = 1.3$ dm.
(K) 2.826 dm² (D) 2.906 dm²
- ⑪ Find the volume of a sphere that has a diameter of 40 km.
(W) $30,463\frac{1}{3}$ km³ (C) $33,493\frac{1}{3}$ km³
- ⑫ Find the surface area of a sphere that has a diameter of 40 km.
(O) 5024 km² (A) 5048 km²

11	5	2	11	10	3	7	4	11	12	9	3	6	1	12	9	8	1	12	10	3	7	5	12	9	3	4
----	---	---	----	----	---	---	---	----	----	---	---	---	---	----	---	---	---	----	----	---	---	---	----	---	---	---