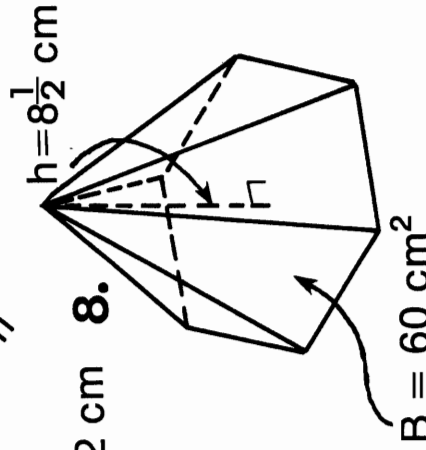
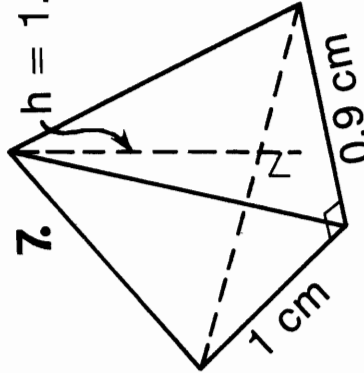
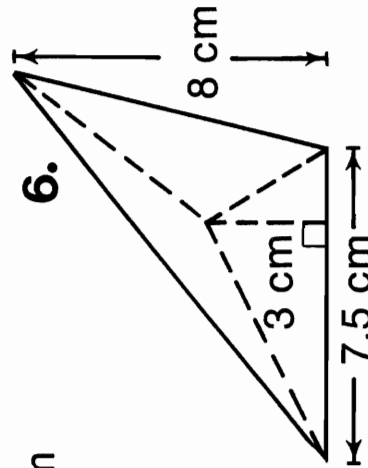
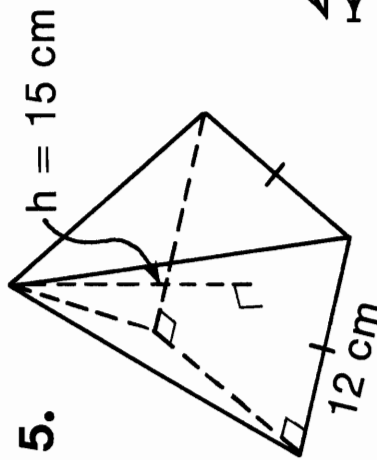
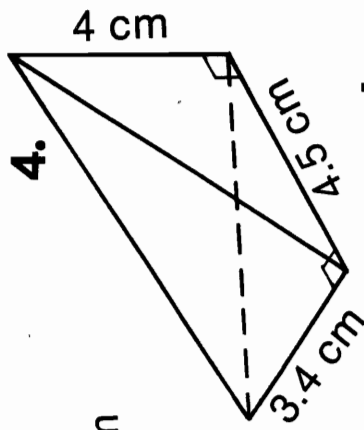
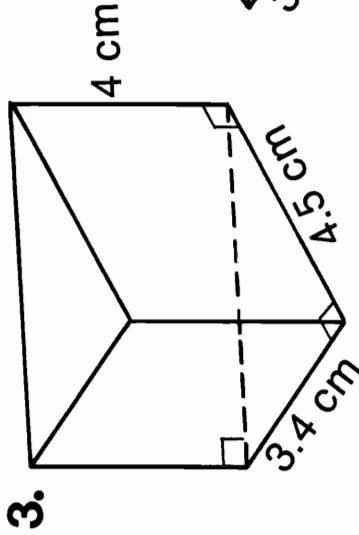
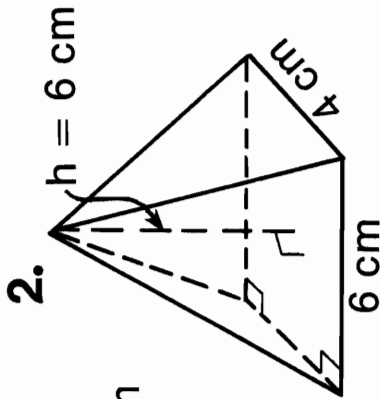
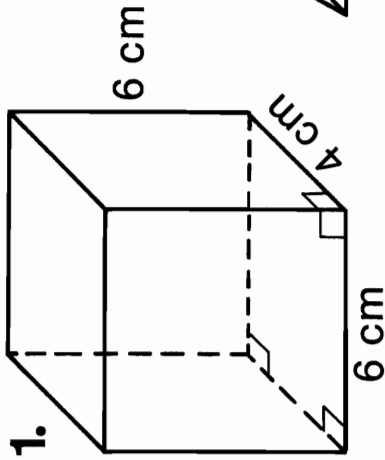


What Should You Call A Man With A Clamp?

TO ANSWER THIS QUESTION: Find the VOLUME of each prism or pyramid and circle your answers in the answer list. When you finish, arrange the letters in order from the letter of the smallest correct answer to the letter of the largest correct answer. Write the letters in this order in the boxes at the bottom of the page.



- | | | | | |
|--------------------------|--------------------------|-------------------------|--------------------------|--------------------------|
| (R) 810 cm ³ | (N) 3.38 cm ³ | (E) 48 cm ³ | (V) 10.2 cm ³ | (M) 0.15 cm ³ |
| (S) 30.6 cm ³ | (A) 0.18 cm ³ | (T) 700 cm ³ | (E) 124 cm ³ | (U) 170 cm ³ |
| (G) 144 cm ³ | (Y) 720 cm ³ | (H) 160 cm ³ | (I) 30 cm ³ | (T) 38 cm ³ |

LETTER OF SMALLEST CORRECT ANSWER →

← LETTER OF LARGEST CORRECT ANSWER