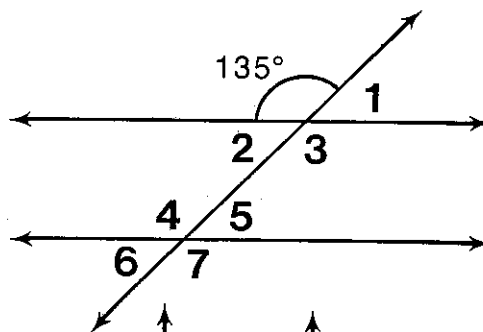


# What is Unusual About The New Surgeon Doll?

Find the answer for any exercise below in the CODE KEY. Notice the letter next to it. Print this letter in the box at the bottom of the page that contains the exercise number. Keep working and you will discover the answer to the title question. (Assume that lines in each figure which do not intersect are parallel.)

In the first figure at the right, find:

- ①  $m\angle 3 =$                       ④  $m\angle 5 =$   
 ②  $m\angle 4 =$                       ⑤  $m\angle 6 =$   
 ③  $m\angle 2 =$                       ⑥  $m\angle 1 =$

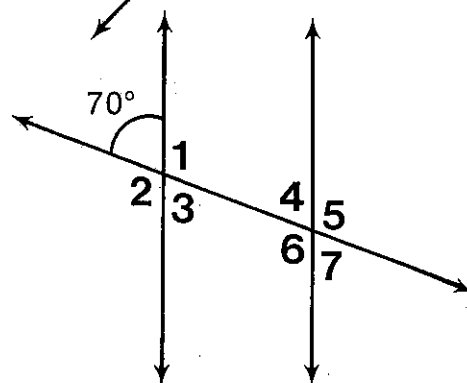


CODE KEY

40°	N
45°	E
55°	A
65°	O
70°	S
85°	B
110°	T
115°	R
135°	I
140°	P

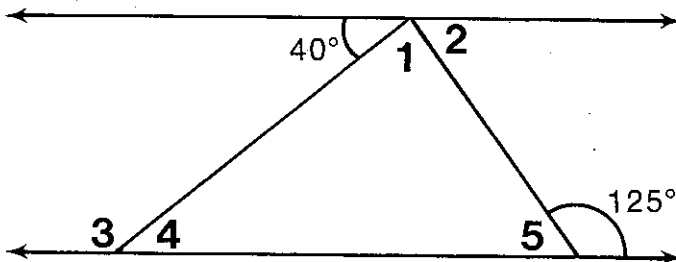
In the second figure, find:

- ⑦  $m\angle 1 =$                       ⑩  $m\angle 7 =$   
 ⑧  $m\angle 6 =$                       ⑪  $m\angle 3 =$   
 ⑨  $m\angle 5 =$                       ⑫  $m\angle 2 =$



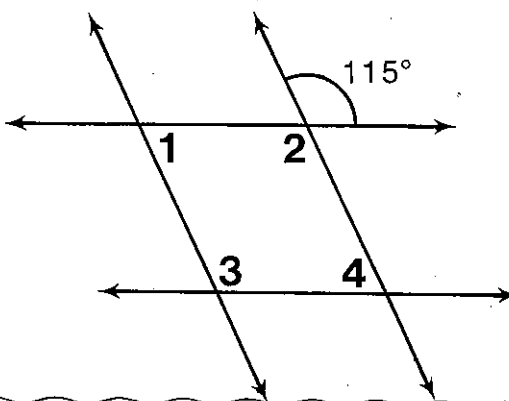
In the third figure, find:

- ⑬  $m\angle 4 =$                       ⑯  $m\angle 2 =$   
 ⑭  $m\angle 3 =$                       ⑰  $m\angle 1 =$   
 ⑮  $m\angle 5 =$



In the fourth figure, find:

- ⑱  $m\angle 2 =$   
 ⑲  $m\angle 4 =$   
 ⑳  $m\angle 1 =$   
 ㉑  $m\angle 3 =$



2	9	20	14	4	21	15	8	3	11	19	13	17	16	12	7	5	18	1	6	10
---	---	----	----	---	----	----	---	---	----	----	----	----	----	----	---	---	----	---	---	----